

Surface Acoustic Wave TouchScreen Product Specification

| | |
|--------------|--|
| PRODUCT TYPE | Zero-bezel Surface Acoustic Wave TouchScreen |
| MODEL NAME | SCTL4V21D5PIBZC1R with ST7201SU |
| CUSTOMER | / |
| VERSION | 1.0 |

| | | |
|-------------|-------------|-------------|
| APPROVED BY | REVIEWED BY | PREPARED BY |
| ZHANGPING | / | GUOQING |

CATALOG

| | |
|-----------------------------|---|
| 1. Revision History | 3 |
| 2. Specification | 4 |
| 3. Appendix | 5 |
| 4. Operation Platform | 6 |

1. Revision History

| Item | Version | Date | Description | Owner |
|------|---------|------------|---------------|---------|
| 1 | 1.0 | 2014-03-06 | First release | GuoQing |
| | | | | |



2. Specification

| Touchscreen Parameter | | |
|-----------------------------|---|-------------|
| Touch Screen Dimensions(mm) | External Dimensions | 538.6×330.2 |
| | Display Area | 476.6×268.1 |
| | Active Area | 476.6×268.1 |
| | Glass Thickness | 4 |
| | Ratio(Length Vs Width) | 16:9 |
| Material | Pure Glass | |
| Dustproof | IP64 | |
| Light Transmission | 90 % | |
| Surface Hardness | Moh's hardness rating of 7 | |
| Electrical Parameter | | |
| Voltage | +12VDC,normal (+11V to +13VDC) | |
| Current | 80mA, typical, supply must be capable of sourcing, 200mA, minimum | |
| Power | Average power consumption is 0.96W at +12VDC | |
| Noise parameter | Total noise and ripple requirement must be less than 50 mV (p-p) for frequencies above 1 MHz | |
| Interface | EIA 232E (Serial RS-232), DCE configuration. 8 Data Bits, 1 Stop Bit, No Parity, Full Duplex Baud rate: 9600 | |
| | USB1.1 | |
| Touch Parameter | | |
| Resolution | 4096×4096 | |
| Conversion Time | Approximately 10.4 ms per coordinate set (including transmitting time) | |
| Touch Activation Force | 50g | |
| Environment Parameter | | |
| | Touchscreen | Controller |
| Operating Temperature | -20℃~+50℃ | 0℃~+65℃ |
| Storage Temperature | -40℃~+70℃ | -20℃~+85℃ |
| Operating Humidity | 40℃ at 90% RH, noncondensing | |
| Operating Altitude | 3000m | |
| Reliability | MTBF is greater than 300,000 hours per MIL-HDBK-217-F2 using the parts stress calculation method for ground benign environment with an ambient temperature of 25℃ | |
| ESD | Per EN 61000-4-2: Contact discharge 4kV, air discharge 8kV | |
| Flammability | The printed circuit board substrate is rated with 94V0 | |
| ROHS | The Touch System including TouchScreen, Controller and Cable is ROHS compliant | |
| Agency Approval | UL | |
| | Systems incorporating GT touchscreens, controllers, and cables have been approved for CE marking | |
| | Systems incorporating GT touchscreens, controllers, and cables have been approved to FCC Class A compliance | |
| Controller Characteristic | | |
| Type | The touchscreen controller of GeneralTouch Company is ST7201SU | |
| Construction | Multi-layer surface-mount design with internal ground plane for EMI suppression | |
| Dimensions | 85×62×12 (mm) | |

3. Appendix

Fig1: SCTL4V21D5PIBZC1R

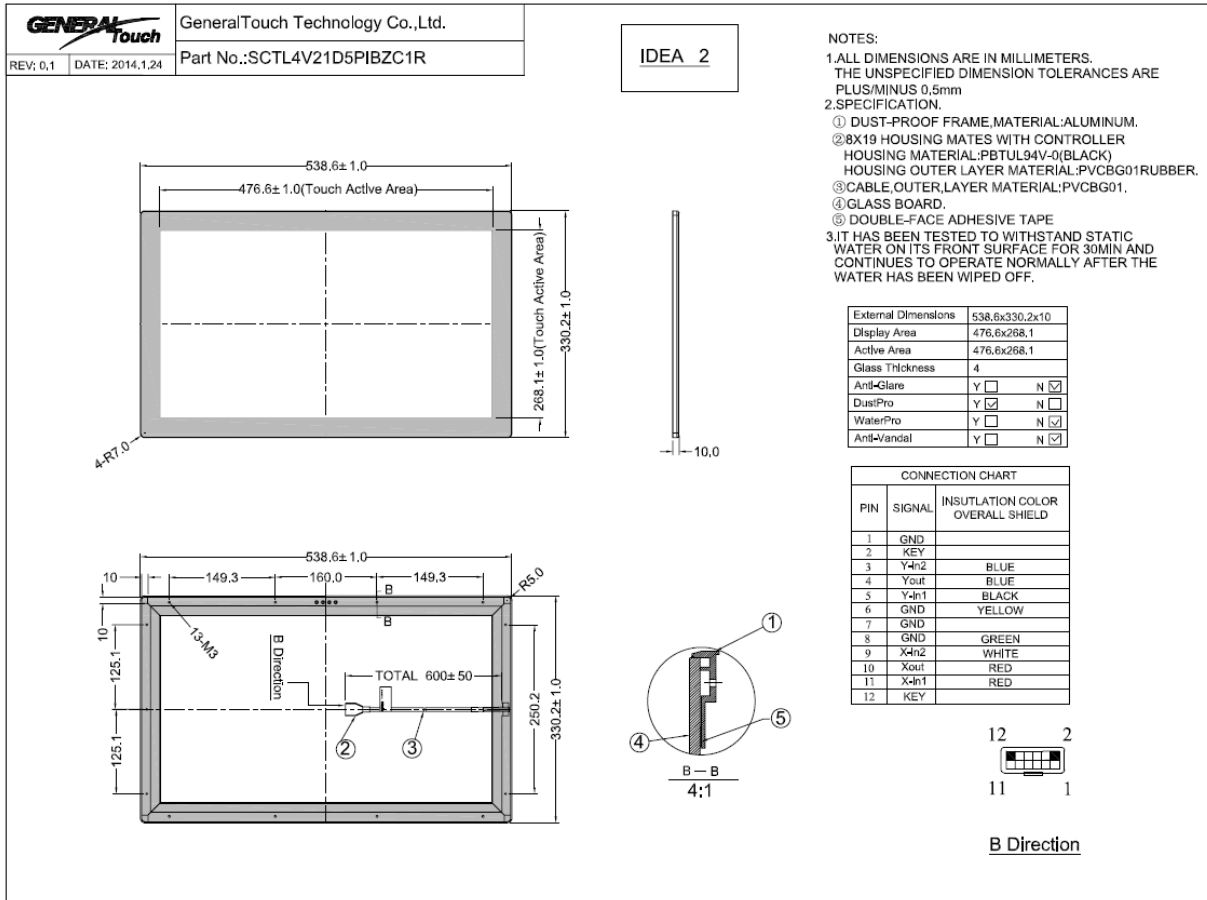


Fig2: ST7201SU

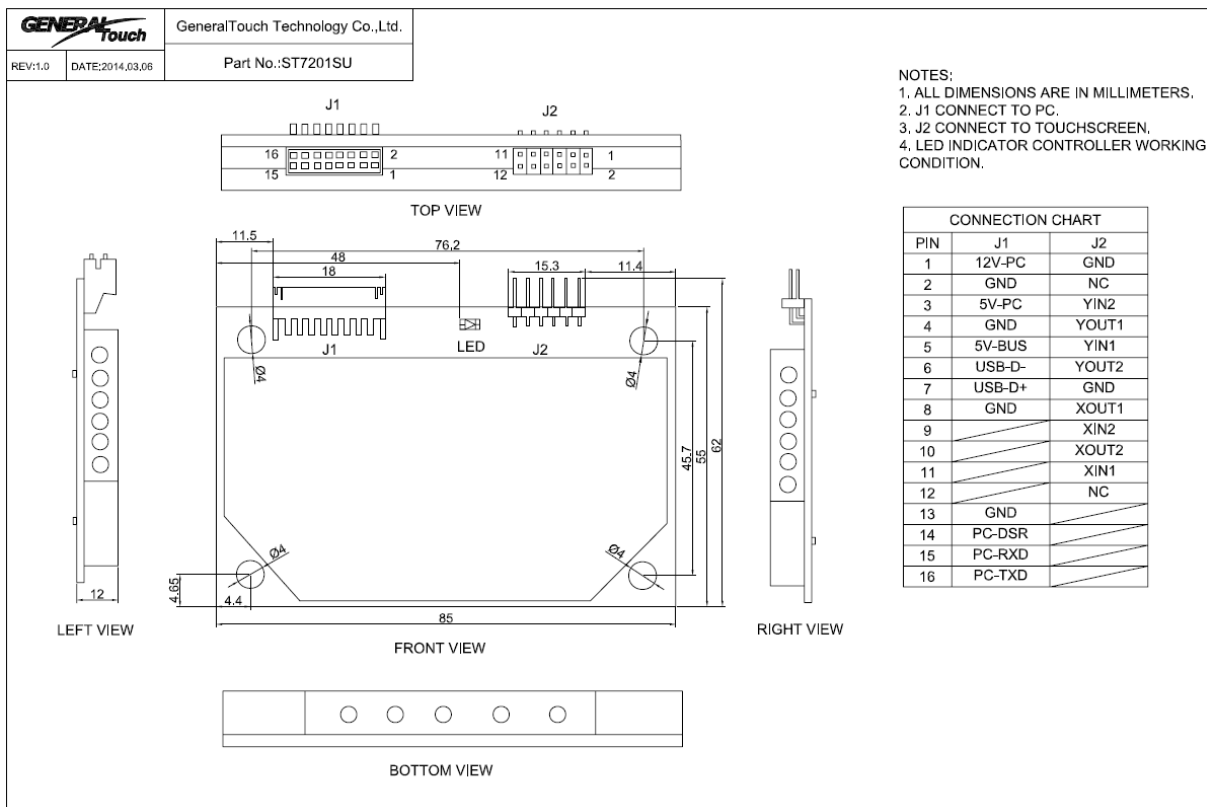
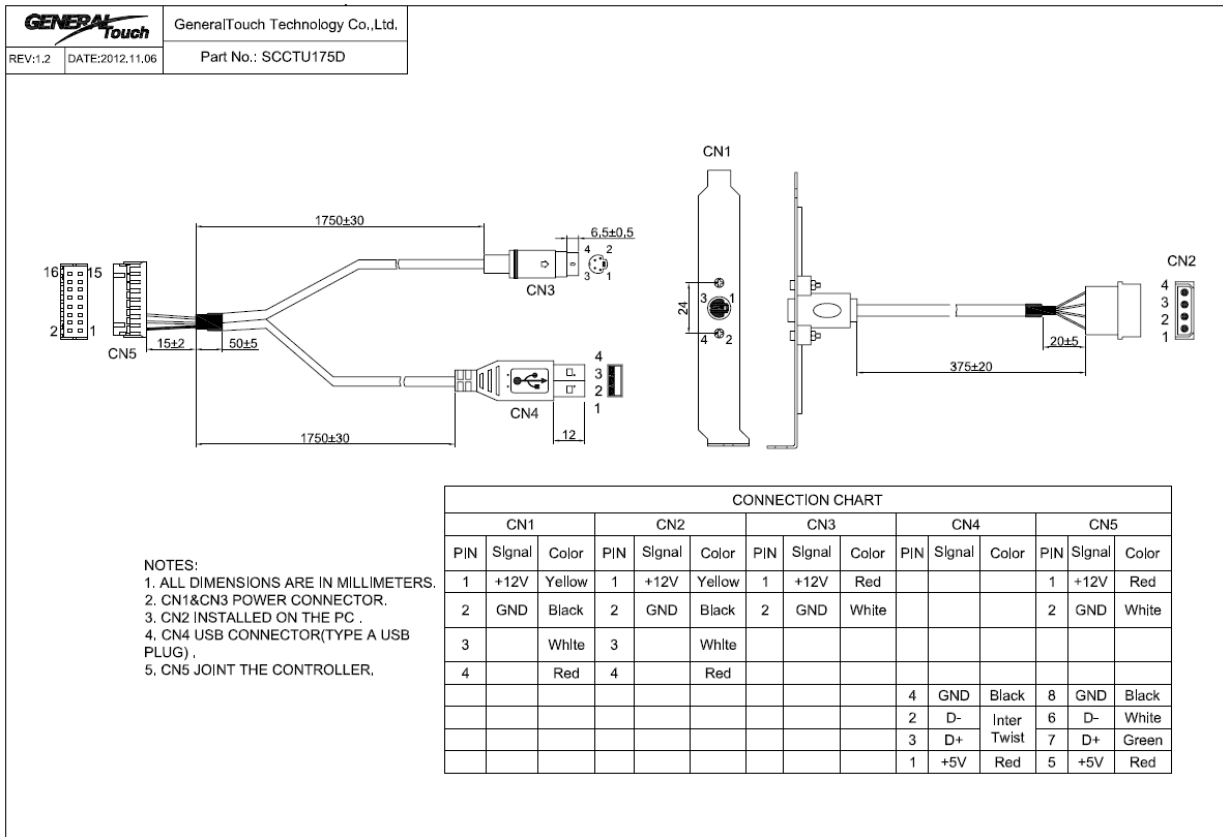


Fig2: SCCTU175D



4. Operation Platform

Windows 98/ME/

Windows 2000/XP/Vista/7

You can download these drivers from our website:

www.generaltouch.com

GeneralTouch Technology Co.,Ltd. reserves the right to change or update the information contained in this document without notice, and also has the right to discontinue or limit the production and distribution of any products